



2005 Toyota Tacoma Bumper Grille

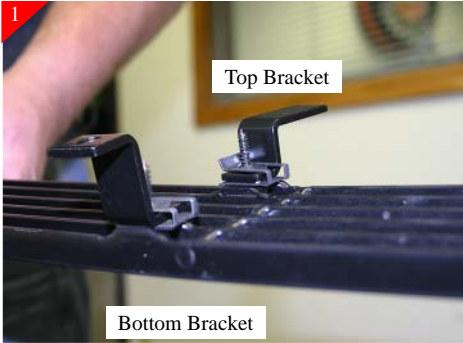
Part# 42351 (Brushed) 42352 (Polished) 42353 (Black)

HARDWARE

- 2 - Long Bkts
- 2 - Short Bkts
- 4 - U-Clips
- 4 - #8 x 1" Phil Pan Head Screw



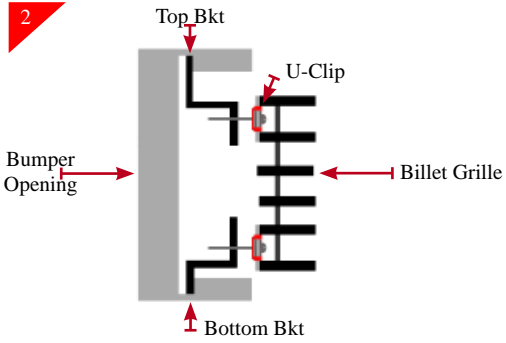
NOTE: IF INSTALLING BOTH THE UPPER AND LOWER BILLET GRILLES AT THE SAME TIME, COMPLETE STEP ONE FOR THE INSTALL OF THE UPPER BILLET GRILLE. THIS WILL ALLOW YOU TO REACH THRU FORM THE TOP, DOWN TO THE BOTTOM BILLET GRILLE WHICH IS MUCH EASIER.



First attach the top & bottom bracket using the supplied hardware as shown above. Don't tighten completely at this point.



Rotate the brackets out of the way to allow you to place the billet grille into opening and center. Then reaching behind the the bumper opeing rotate the brackets up as shown in step 1 and then tighten.



see diagram.