

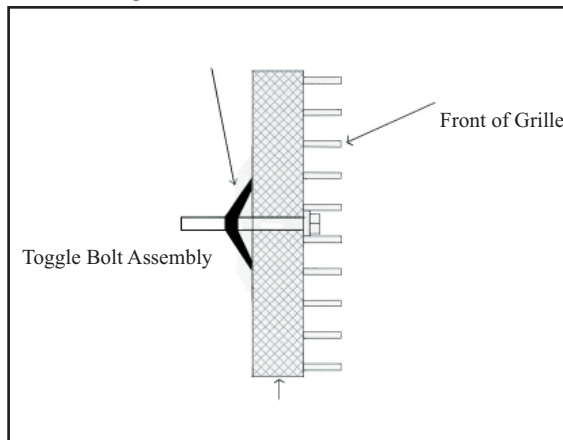


42751 / 42752 / 42753

2006 Dodge Ram Fog Lamp inserts

Step 1: Center billet grille in opening. Use supplied hardware and attach per illustration below.

Step 2: Check to make sure the grille is properly in place and tighten the bolts just enough to hold the grille in place. **DO NOT OVER TIGHTEN** as this may cause the grille shell to crack.



For installation of billet grilles that require cutting of the stock shell, proper tools, knowledge and skill are needed. Carriage Works Inc. is not responsible for care & accuracy of the installation, only for Fit & Finish of its products. Use a qualified installer or contact original vendor for references to complete all instructions.

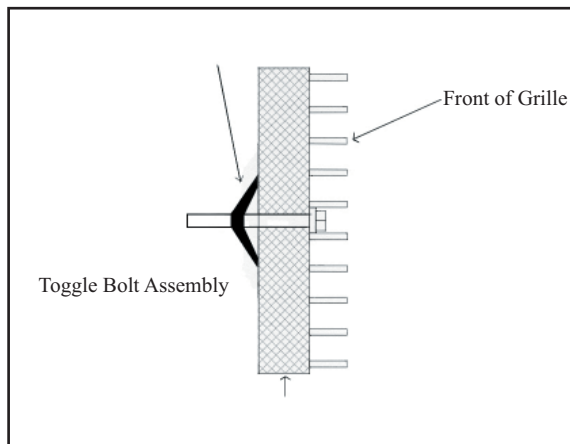


42751 / 42752 / 42753

2006 Dodge Ram Fog Lamp inserts

Step 1: Center billet grille in opening. Use supplied hardware and attach per illustration below.

Step 2: Check to make sure the grille is properly in place and tighten the bolts just enough to hold the grille in place. **DO NOT OVER TIGHTEN** as this may cause the grille shell to crack.



For installation of billet grilles that require cutting of the stock shell, proper tools, knowledge and skill are needed. Carriage Works Inc. is not responsible for care & accuracy of the installation, only for Fit & Finish of its products. Use a qualified installer or contact original vendor for references to complete all instructions.