



# 2004-07 Ford F-150 Monster Bar Bumper Grille



**PART# 44121(Brushed) - 44122(Polished) - 44123(Black) Lower**

After

Photo shown W/optional Upper grille Part#44102



### Hardware

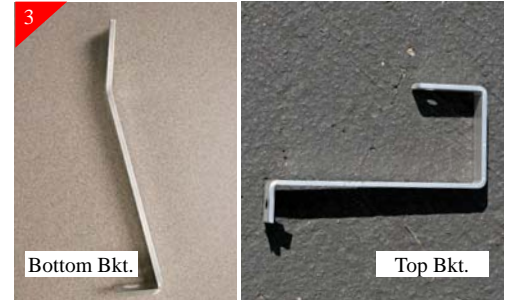
- 2 - Brackets 
- 2 - Brackets 
- 4 - 10/32 x 5/8" Bolts
- 4 - 10/32 Nyloc Nuts



Remove the (5) 8mm bolts by reaching thru the front opening of vehicle. Area of bolts to be removed shown above in RED.



Then un-clip license frame from vehicle as shown above.

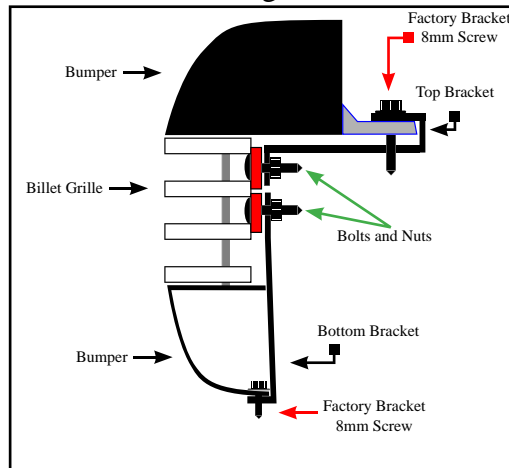


The above brackets are orientated the correct direction for install. Loosely attach brackets to billet grille using the supplied 10/32 x 5/8" bolts and nyloc nuts. Rotate the brackets around so that you can place the billet grille into opening. Rotate the brackets back in place and tighten.



Next you will be attaching the top bracket to the factory 8mm bolts shown above. (Please Ref next step for diagram of attachment of brackets). Next locate the factory 8mm bolts on lower valence and remove, then attach the bottom bracket to these factory bolts. (Please Ref next step for diagram of attachment of brackets).

### Diagram



If your state requires you to have a front license plate. Please reattach license frame to vehicle. Ref. Steps 1 & 2.

Completed Installation

For installation of billet grilles that require cutting of the stock shell, proper tools, knowledge and skill are needed. Carriage Works is not responsible for care & accuracy of the installation, only for Fit & Finish of its products. Use a qualified installer or contact original vendor for references to complete all instructions.

NOTE: Please adjust horizontal blades if irregular. This is the result of shipping and handling outside of Carriage Works control. Also Carriage Works Inc. Performance Recommends applying a high quality automotive wax to maintain the original appearance.